



73 Mall Drive • Commack, NY 11725 • www.accu-scope.com • Phone (631) 864-1000 • Fax (631) 543-8900

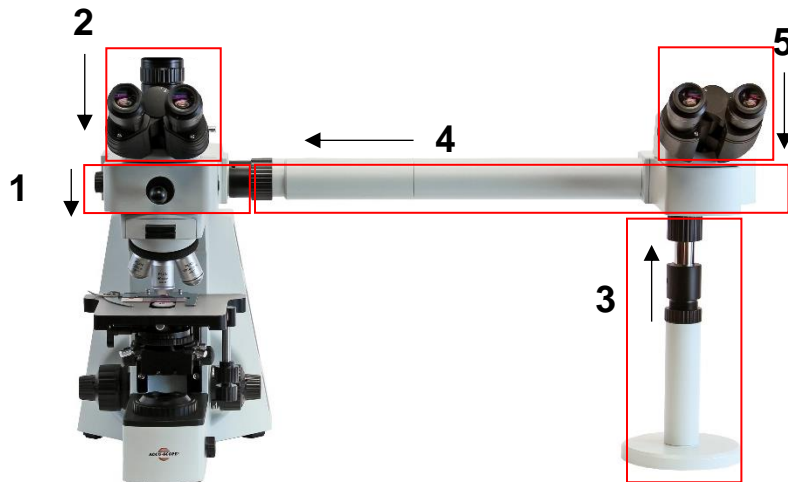
## EXC-400 Microscope Series

### SUPPLEMENTAL INSTRUCTIONS

#### Dual-View Side-by-Side Quick Assembly Diagram

Set up the Main Microscope -- **EXCEPT** for the Main Viewing Head and Eyepieces -- following the instructions in the EXC-400 Microscope Series Manual. The Main Viewing Head and Eyepieces will be mounted after the LED Pointer Unit is mounted.

- 1 LED Pointer Unit
- 2 Main Viewing Head & Eyepieces
- 3 Viewing Head Support Column
- 4 Secondary Viewing Head Assembly
- 5 Secondary Viewing Head & Eyepieces





73 Mall Drive • Commack, NY 11725 • www.accu-scope.com • Phone (631) 864-1000 • Fax (631) 543-8900

## EXC-400 Microscope Series

### SUPPLEMENTAL INSTRUCTIONS

#### Dual-View Side-by-Side Detailed Set Up

Set-up on a sturdy, level surface with a minimum space requirement of 18(d) x 36(w) inches for the side-by-side orientation, or 30(d) x 20(w) inches for the front-to-back orientation.

#### Assemble the Main Microscope – Figure 1

1. Set up the Main Microscope -- **EXCEPT** for the Main Viewing Head and Eyepieces -- following the instructions in the EXC-400 Microscope Series Manual. The Main Viewing Head and Eyepieces will be mounted after the LED Pointer Unit is mounted.

The assembly of the main microscope includes the objectives, lamp house and the stage/condenser assembly.

2. Mount the LED pointer unit to the top of the main microscope frame.
3. Mount the Main Microscope Viewing Head on the top of the LED Pointer Unit, then install the eyepieces.

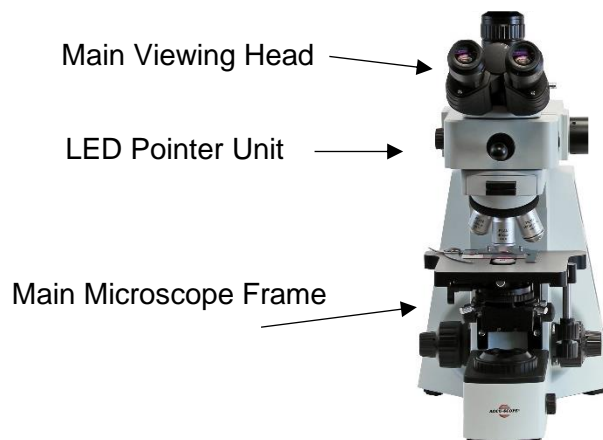


Figure 1

## Assemble the Secondary Viewing Head Support Column Assembly – Figures 2 & 3

1. Install the Viewing Head Support Column into the bottom of the Secondary Viewing Head Assembly. (Figure 2)
2. Install the Secondary Viewing Head Support Column Assembly onto the right side of the Main Microscope. (Figure 3)
3. Install the Secondary Viewing Head onto the top of the Secondary Viewing Head Assembly, then install the eyepieces. (Figure 3)



**Figure 2**



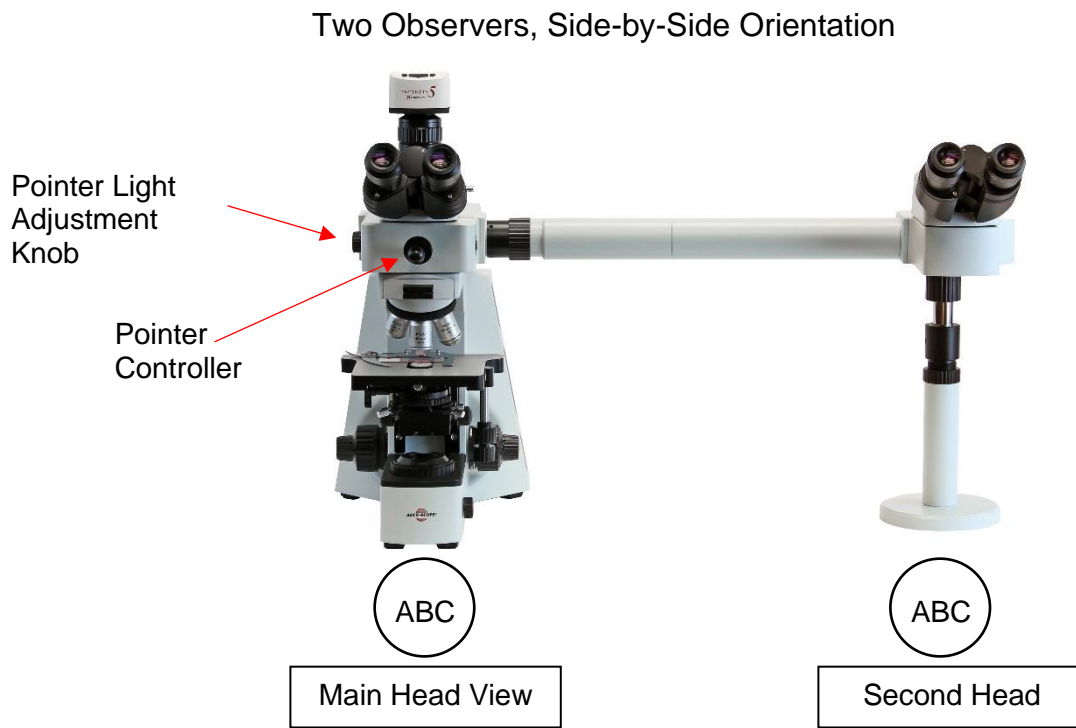
**Figure 3**

*(Assembly Complete)*

# Operation

## Dual Observer Arrangement

*(The ABC is the direction of image observed in the eyepieces)*



## Adjust the Pointer Brightness

**NOTE:** If the pointer is not in the field of view, rotate the pointer controller to move the pointer to the center of the field of view.

*The pointer is optimally used during observation of dim specimens. When the specimen is bright, it may be difficult to see the pointer even when the light adjustment knob for the pointer is turned up.*

The pointer light adjustment knob is used to adjust the brightness of the pointer. Rotate the pointer light adjustment knob clockwise to increase the brightness; counterclockwise to decrease the brightness.

To turn off the pointer, rotate the pointer light adjustment knob counterclockwise until it stops, then rotate it slightly further to the off position.

## Pointer Movement

The main head observer can move the pointer to the desired position by operating the pointer controller.