



# 3002 MANUAL

## LED SUPPLEMENT

### LED Lamp Specifications

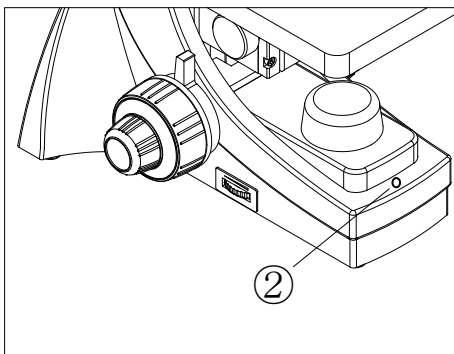
The 3002-LED-R microscope is equipped with a variable 1 watt rechargeable LED lamp. The LED lamp can last up to 5 hours on a single charge depending on the brightness level used, and is rated for 10,000 hours. The battery should come fully charged from the factory. To recharge the battery, follow the instructions below.

**NOTE:** The microscope can be used while recharging the battery with the power cord, and it can still operate with the power cord when the battery can no longer hold a charge and needs to be replaced.

If the LED lamp or battery needs to be replaced, contact your local authorized ACCU-SCOPE dealer or call ACCU-SCOPE at 631-864-1000 for a dealer near you.

LED Lamp Assembly **CAT# 02-3259**; Battery Pack **CAT# 02-1060** -- available only through authorized ACCU-SCOPE dealers.

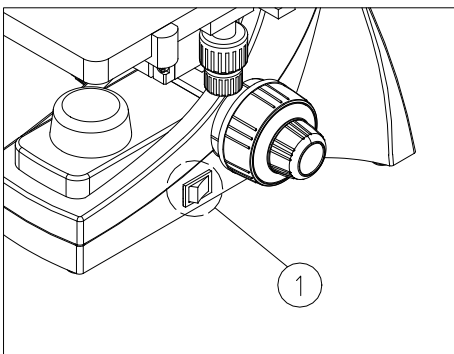
### LED Illumination (For Corded or Cordless Operation)



#### Cordless Operation

To use the microscope for cordless operation (battery only), unplug the power cord from the wall and from the base of the microscope. Turn the power switch to the on "I" position.

The battery light indicator ② on the front of the microscope base will be green when the battery is charged, and turns red when the battery is running low.



#### Corded Operation

(While Recharging the Battery)

You can recharge the battery **while continuing to use the microscope**. Turn the main switch ① on the base of the microscope to the off "O" (middle) position, connect the power cord to the base of the microscope and plug the cord into a power supply outlet. Turn the main switch ① to the on "I" position. It takes about 5-6 hours to fully recharge the battery.

**NOTE:** The battery light indicator ② will remain red while the power cord is plugged in and charging while using the microscope. Once the power cord is removed, the light will turn green to indicate the battery is fully charged.

**NOTE:** When your microscope is not in use, turn the main switch ① on the base of the microscope to the off "O" (middle) position to cut off all power (battery and AC).

#### Recharging the Battery

To recharge the battery **without using the microscope**, turn the main switch ① on the base of the microscope to the off "O" (middle) position, connect the power cord to the base of the microscope and plug the cord into a power supply outlet. Turn the main switch ① to the "recharge" position "II". It takes about 5-6 hours to fully recharge the battery. The battery light indicator ② will be green when charged.

# Troubleshooting

PROBLEM	CAUSE	SOLUTION
LED lamp does not light	No power supply	Check the power cord or recharge the battery
	The LED wire is disconnected	Reconnect the LED wire <i>OR</i> call your local authorized ACCU-SCOPE dealer for service
	The LED lamp is damaged	Change the LED lamp assembly – CAT# 02-3259 <i>OR</i> call your local authorized ACCU-SCOPE dealer for service
The brightness of the LED lamp is not adequate	The rechargeable battery is aging	Replace the battery pack – CAT# 02-1060 <i>OR</i> call your local authorized ACCU-SCOPE dealer for service
	The charging circuit is not working	Replace the charging circuit board <i>OR</i> call your local authorized ACCU-SCOPE dealer for service