



73 Mall Drive • Commack, NY 11725 • www.accu-scope.com • Phone (631) 864-1000 • Fax (631) 543-8900

EXC-500-2 Microscope

SUPPLEMENTAL INSTRUCTIONS

Set-up on a sturdy, level surface with a minimum space requirement of 18 x 36 inches

Tools required: Bubble level

1. Attach the primary dual viewing head attachment to the microscope frame. Then assemble the microscope as described in the enclosed instruction booklet. The assembly includes the objectives, viewing head, eyepieces lamp house and the stage/condenser assembly. Ensure the microscope is operating properly.
2. Attach the longer of the two extension tubes to the primary dual viewing head attachment (A-1 to A-1, Figure 1).
3. Place the secondary viewing head attachment/viewing head support column assembly on the right side of the primary microscope. Attach the shorter of the two extension tubes to the secondary viewing attachment (A-3 to A-3, Figure 2).
4. Connect the two extension tubes A-2 to A-2 (Figure 3).
5. Place a bubble level on the rear portion of the secondary viewing head attachment. The height of the pole is adjusted by first loosening the black knob. Then rotate the lower portion of the support column until the bubble is centered inside the level. Retighten the black knob.
6. Attach the secondary viewing head and insert the two eyepieces.

Operation of the illuminated pointer:

1. The pointer position is regulated by manipulating the pointer control lever.
2. The illumination intensity is adjusted by rotating the knob at the front of the pointer control lever.



Figure 1

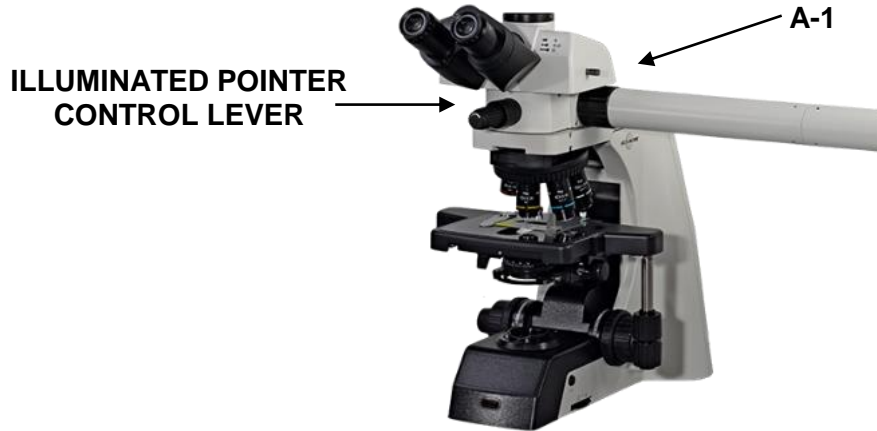


Figure 2

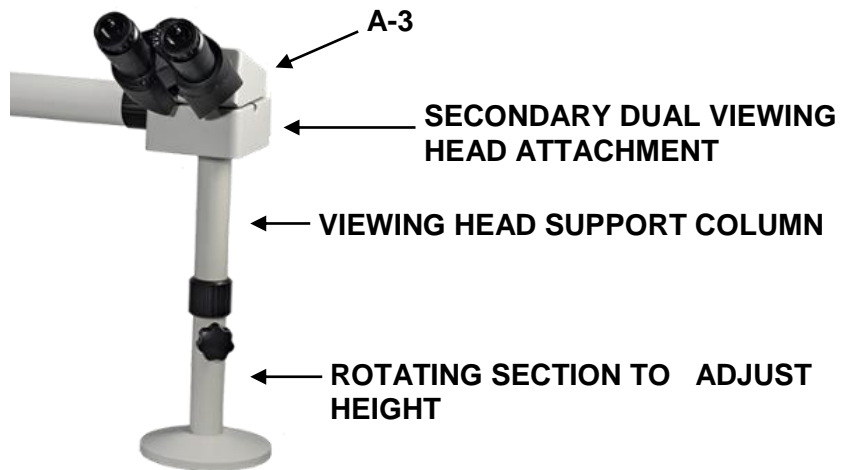


Figure 3

