



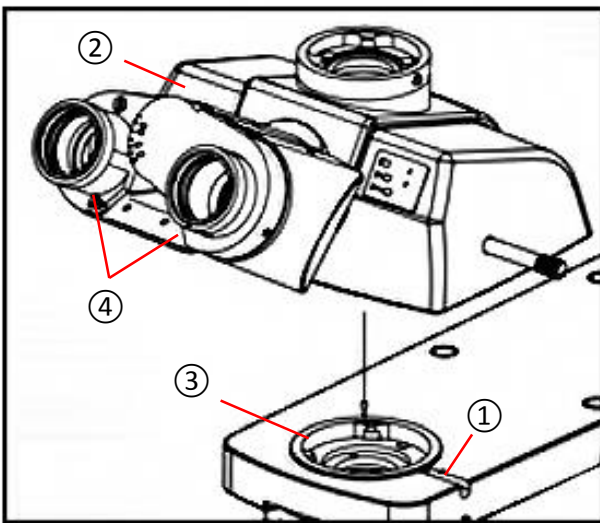
EXC-500-2FTB Installation Instructions



Mounting the Bridge

Position the bridge as shown and carefully insert the front of the bridge into the opening on the top of the microscope.

Using the enclosed Hex wrench, tighten the lock screw ① by turning clockwise.



Installing the Viewing Heads

Using the Hex wrench loosen the lock screw ①.

Position the viewing head ② above the dovetail opening ③ as shown and with it tilted slightly down on the right, slide the dovetail under the notches in the dovetail hole and set it into place with the two eyepiece tubes ④ facing forward.

Retighten the lock screw ①.

Repeat above for other head, positioning the head as shown below.

